



CONSOLIDATED SEWING MACHINE CORP.

└ INDUSTRIAL SEWING & CUTTING EQUIPMENT

Models

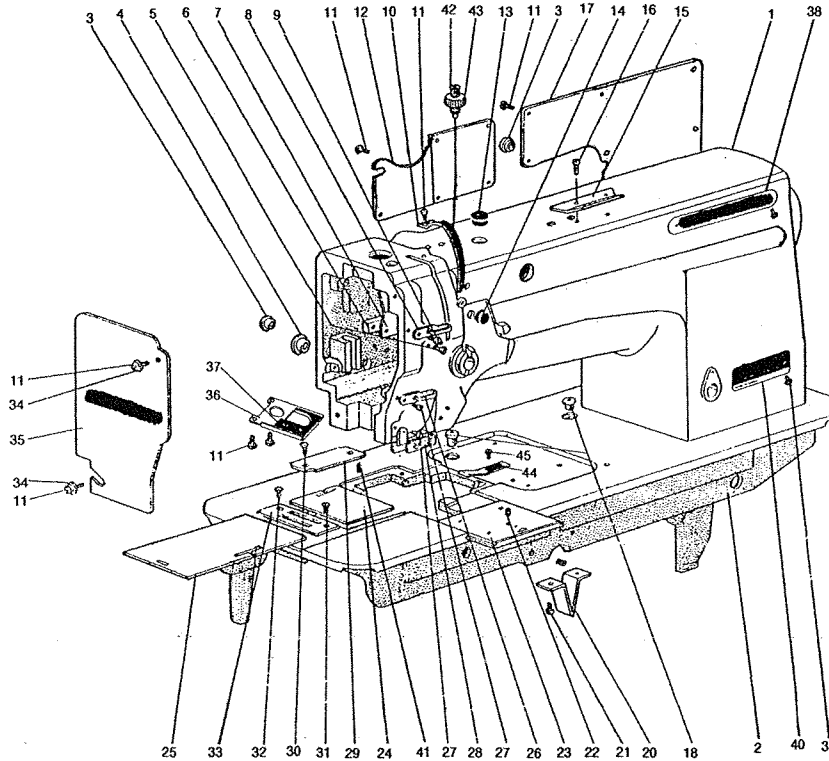
332R-6

333RB-6

Parts List

PARTS LIST

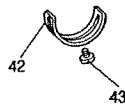
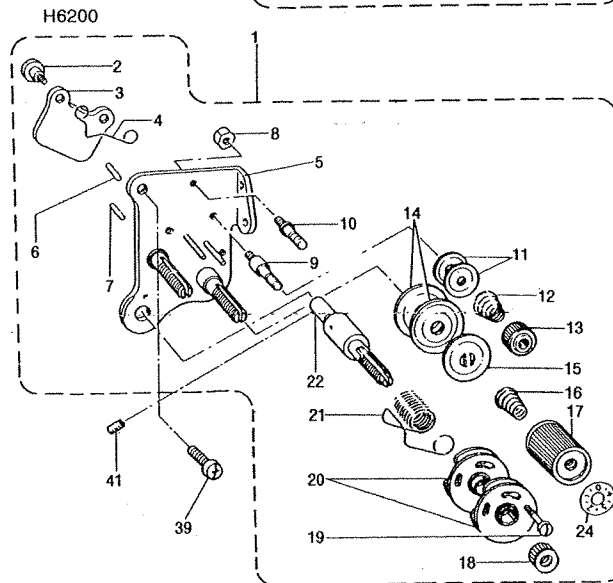
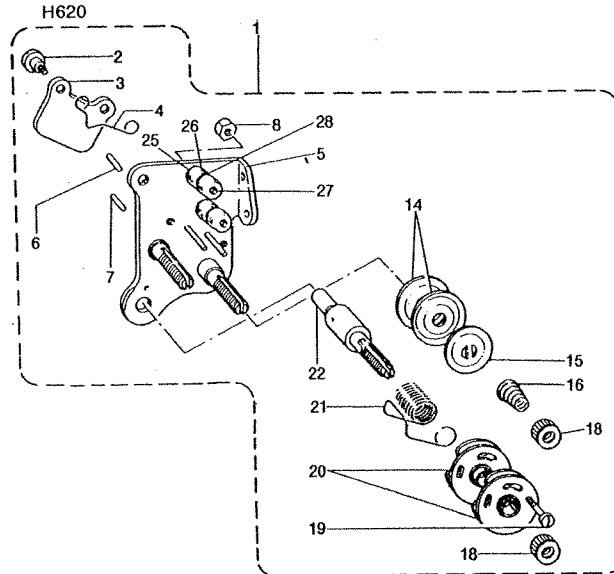
A. 본체 기구 / Arm Bed & Accessories



| No. | Code No. | Parts Name | Q'ty | Remark |
|-----|----------|----------------------|------|--------|
| 1 | 151001 | Arm | 1 | H620 |
| | 151047 | | 1 | H6200 |
| 2 | 151002 | Bed | 1 | H620 |
| | 151048 | | 1 | H6200 |
| 3 | 117007 | Rubber Plug 8.8 | 3 | |
| 4 | 117004 | Rubber Plug 19 | 1 | |
| 5 | 4021 | Screw 3/16(28)-13 | 1 | |
| 6 | 153001 | Spacer | 1 | |
| 7 | 153002 | Oil Guard Plate | 1 | |
| 8 | 153003 | Thread Guide | 1 | |
| 9 | 4019 | Screw 3/16(28)-10 | 1 | |
| 10 | 153005 | Thread Take-up Cover | 1 | |
| 11 | 1050 | Screw 11/64(40)-8 | 18 | |
| 12 | 153006 | Side Cover (A) | 1 | |
| 13 | 157002 | Rubber Plug 13 | 2 | |
| 14 | 157016 | Rubber Plug 13 | 1 | |
| 15 | 153007 | Thread Guide | 1 | |
| 16 | 1050 | Screw 11/64(40)-8 | 2 | |
| 17 | 153008 | Side Cover (B) | 1 | |
| 18 | 157003 | Oil Cap | 2 | |
| 20 | 153009 | Supporter | 1 | H6200 |
| 21 | 2079 | Screw 1/4(24)-16 | 2 | H6200 |
| 22 | 3032 | Screw 15/64(28)-4.5 | 1 | |
| 23 | 153010 | Slide Plate (F) | 1 | H620 |
| | 153082 | | 1 | H6200 |
| | 153071 | | 1 | H620 |
| 24 | 153083 | Slide Plate (R) | 1 | H6200 |

| No. | Code No. | Parts Name | Q'ty | Remark |
|------|----------|------------------------|------|--------|
| 25 | 153072 | Slide Plate (L) | 1 | H620 |
| | 153084 | | 1 | H6200 |
| 26 | 153011 | Thread Guide (M) | 1 | |
| 27 | 4012 | Screw 9/64(40)-7 | 2 | |
| 28 | 159001 | Thread Guide (L) ASM | 1 | |
| 28-1 | 158001 | Felt | (1) | |
| 28-2 | 153004 | Cover | (1) | |
| 28-3 | 4003 | Screw 3/32(56)-2.5 | (2) | |
| 29 | 153014 | Cover | 1 | H6200 |
| 30 | 4008 | Screw 9/64(40)-5 | 2 | H6200 |
| 31 | 4018 | Screw 11/64(40)-7 | 1 | |
| 32 | 1022 | Screw 9/64(40)-6.5 | 1 | |
| 33 | * | Needle Plate | 1 | ※ |
| 34 | 123062 | Washer | 2 | |
| 35 | 153015 | Face Plate | 1 | |
| 36 | 153073 | Oil Guard Plate | 1 | |
| 37 | 158013 | Felt | 1 | |
| 38 | 114009 | Name Plate | 1 | |
| 39 | 114011 | Pin | 4 | |
| 40 | 154002 | Model Plate | 1 | H620 |
| | 154002-H | | 1 | H620H |
| | 154020 | | 1 | H6200 |
| | 154020-H | | 1 | H6200H |
| 41 | 152074 | Needle Plate Guide Pin | 1 | |
| 42 | 8101 | Adjusting Screw | 1 | |
| 43 | 152075 | Nut | 1 | |
| 44 | 153155 | Slide Plate Stopper | 1 | |
| 45 | 1064 | Screw 3/16(28)-6 | 2 | |

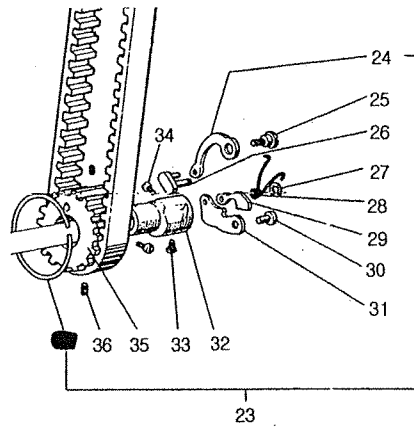
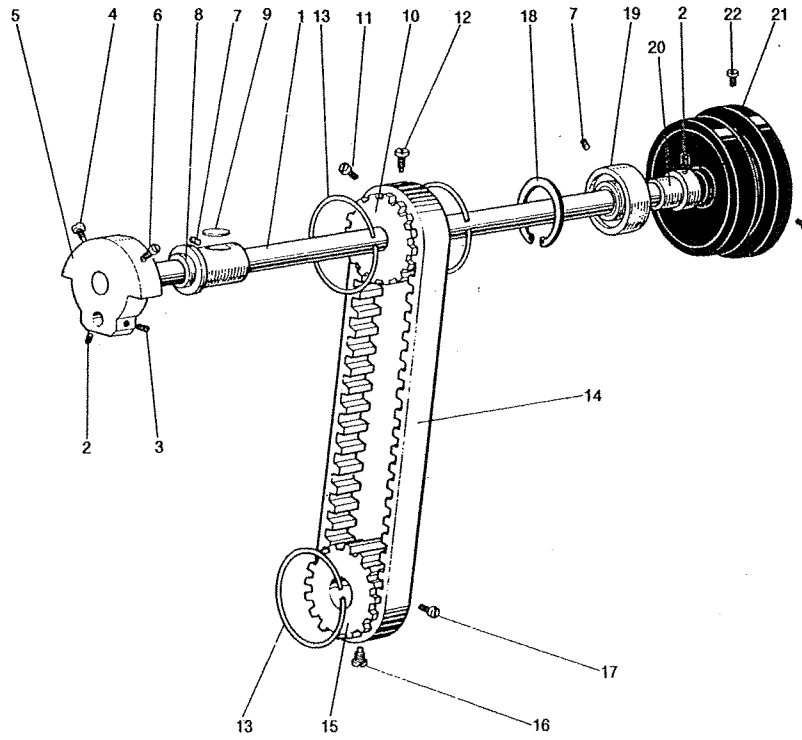
B. 실조절기 기구 / Thread Tension Regulator Mechanism



| No. | Code No. | Parts Name | Q'ty | Remark |
|-----|----------|--------------------------|------|--------|
| 1 | 159019 | Thread Tension Regulator | 1 | H620 |
| | 159001 | | | H6200 |
| 2 | 6006 | Stud Screw 9/64(40)-3 | (2) | |
| 3 | 153016 | Tension Releasing Plate | (1) | |
| 4 | 155001 | Tension Releasing Spring | (1) | |
| 5 | 153017 | Mounting Plate | (1) | |
| 6 | 152003 | Pin(R) | (1) | |
| 7 | 152004 | Pin(L) | (1) | |
| 8 | 122084 | Nut | (2) | |
| 9 | 152001 | Pin | (2) | |
| 10 | 152002 | Thread Guide Pin | (2) | H6200 |
| 11 | 153019 | Thread Tension Disc(S) | (4) | |
| 12 | 155002 | Spring | (2) | |
| 13 | 152007 | Nut | (2) | |
| 14 | 153018 | Thread Tension Disc(L) | (4) | |
| 15 | 153020 | Spring Guide Plate | (2) | |
| 16 | 155003 | Spring | (2) | |
| | 135002 | | | H |

| No. | Code No. | Parts Name | Q'ty | Remark |
|-----|----------|-------------------------------|------|--------|
| 17 | 124022 | Nut | (1) | H6200 |
| 18 | 152008 | Nut | (1) | H6200 |
| | | | (3) | H620 |
| 19 | 2004 | Screw 3/32(56)-12 | (1) | |
| 20 | 159018 | Plate Complete | (2) | |
| 21 | 155004 | Thread Take-up Spring | (1) | |
| 22 | 152005 | Thread Tension Stud | (1) | |
| 23 | 152006 | Pin | (2) | |
| 24 | 124023 | Sticker | 2 | |
| 25 | 193042 | Thread Guide Bracket (D) | 2 | |
| 26 | 193043 | Thread Guide Disc | 2 | H620 |
| 27 | 199006 | Thread Guide Bracket (U). ASM | 2 | |
| 28 | 195006 | Spring | 2 | |
| 39 | 1050 | Screw 11/64(40)-8 | 3 | |
| 40 | 152009 | Tension Releasing Pin | 1 | |
| 41 | 3019 | Screw 11/64(40)-6 | 1 | |
| 42 | 153074 | Stopper | 1 | |
| 43 | 1020 | Screw 9/64(40)-5 | 1 | |

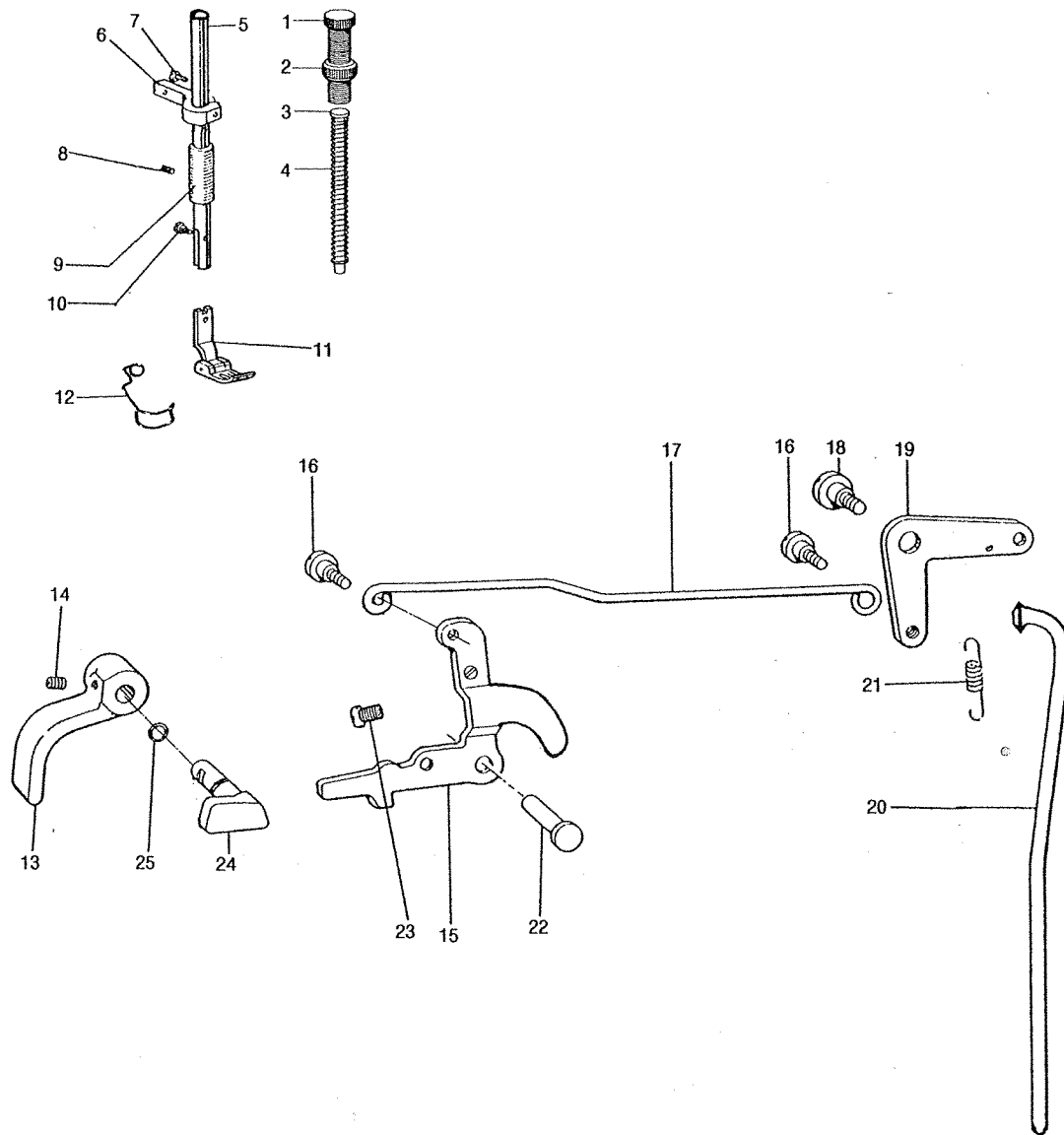
C. 상축 기구 / Upper Shaft Mechanism



| No. | Code No. | Parts Name | Q'ty | Remark |
|-----|--------------------|-------------------------|------|--------|
| 1 | 152010 | Upper Shaft | 1 | |
| 2 | 3035 | Screw 1/4(40)-6 | 1 | |
| 3 | 3061 | Screw 1/4(40)-6.6 | 3 | |
| 4 | 2087 | Screw 9/32(28)-13 | 1 | |
| 5 | 151003 151003-H | Thread Take-up Crank | 1 | H |
| 6 | 7005 | Screw 9/32(28)-14 | 1 | |
| 7 | 3039 | Screw 15/64(28)-10 | 2 | |
| 8 | 152011 | Upper Shaft Bushing (L) | 1 | |
| 9 | 158002 | Felt | 1 | |
| 10 | 152012 | Timing Pulley (U) | 1 | |
| 11 | 2069 | Screw 15/64(28)-8.5 | 1 | |
| 12 | 7006 | Screw 15/64(28)-14.5 | 1 | |
| 13 | 155005 | Spring Flange | 3 | |
| 14 | 156009 | Timing Belt | 1 | |
| 15 | 152022 152022-H | Timing Pulley (L) | 1 | H6200H |
| 16 | 7010 | Screw 15/64(28)-10.5 | 1 | |
| 17 | 2070 | Screw 15/64(28)-10 | 1 | |
| 18 | 155006 | Stop Ring | 1 | |

| No. | Code No. | Parts Name | Q'ty | Remark |
|-----|------------------|------------------------------|------|---------------|
| 19 | 156001 | Ball Bearing | 1 | |
| 20 | 152013 | Upper Shaft Bushing (R) | 1 | |
| 21 | 114002 134005 | Pulley | 1 | H620 H6200 |
| 22 | 2072 | Screw 15/64(28)-14 | 2 | |
| 23 | 159036 | Belt Pulley (lower) Complete | 1 | H620 |
| 24 | 153160 | Spring Plate | (1) | H620 |
| 25 | 152101 | Pin $\phi 6 \times 14.2$ | (1) | H620 |
| 26 | 151115 | Link | (1) | H620 |
| 27 | 155033 | E-type Stop Ring 2.5 | (1) | H620 |
| 28 | 155032 | Twist Spring | (1) | H620 |
| 29 | 153162 | Plate | (1) | H620 |
| 30 | 152100 | Pin $\phi 6.35 \times 13$ | (1) | H620 |
| 31 | 153161 | Plate | (1) | H620 |
| 32 | 152099 | Bushing | (1) | H620 |
| 33 | 8102 | Screw 15/64(28)-10.5 | (1) | H620 |
| 34 | 2070 | Screw 15/64(28)-10 | (1) | H620 |
| 35 | 152102 | Belt Pulley (lower) | (1) | H620 |
| 36 | 3032 | Screw 15/64(28)-4.5 | 2 | H620 |

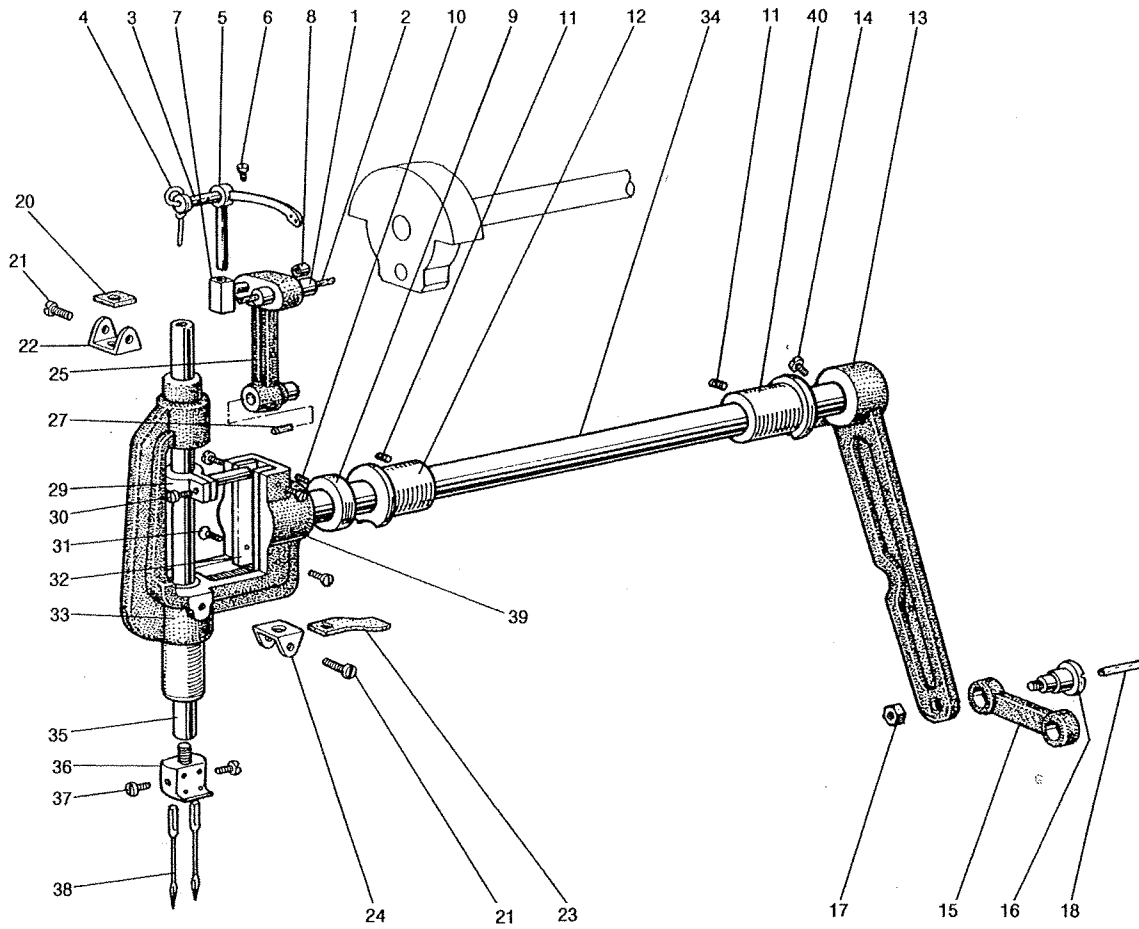
D. 압봉 기구 / Presser Bar Lifter Mechanism



| No. | Code No. | Parts Name | Q'ty | Remark |
|-----|----------|---------------------------|------|--------|
| 1 | 8096 | Thumb Nut | 1 | |
| 2 | 124021 | Nut | 1 | |
| 3 | 113031 | Spring | 1 | |
| 4 | 115001-H | Spring | 1 | |
| 5 | 152014 | Presser Bar | 1 | |
| 6 | 151004 | Presser Bar Guide Bracket | 1 | |
| 7 | 1061 | Screw 11/64(40)-16 | 1 | |
| 8 | 3039 | Screw 15/64(28)-10 | 1 | |
| 9 | 132062 | Presser Bar Bushing | 1 | |
| 10 | 6108 | Presser Foot Screw | 1 | |
| 11 | * | Presser Foot | 1 | 개시표참조 |
| 12 | 155008 | Finger Guard | 1 | |
| 13 | 131034 | Presser Bar Lifter | 1 | |

| No. | Code No. | Parts Name | Q'ty | Remark |
|-----|----------|--------------------------|------|--------|
| 14 | 3082 | Screw 15/64(28)-8 | 1 | |
| 15 | 153022 | Thread Releasing Plate | 1 | |
| 16 | 6046 | Stud Screw 3/16 | 2 | |
| 17 | 153023 | Knee Lifter Rod | 1 | |
| 18 | 6067 | Stud Screw 15/64(28)-6.5 | 1 | |
| 19 | 153024 | Knee Lifter Lever | 1 | |
| 20 | 153025 | Knee Lifter Bar | 1 | |
| 21 | 125012 | Spring | 1 | |
| 22 | 152016 | Pin | 1 | |
| 23 | 2051 | Screw 11/64(40)-9 | 1 | |
| 24 | 152017 | Presser Bar Lifting Cam | 1 | |
| 25 | 117019 | O Ring 8 | 1 | |

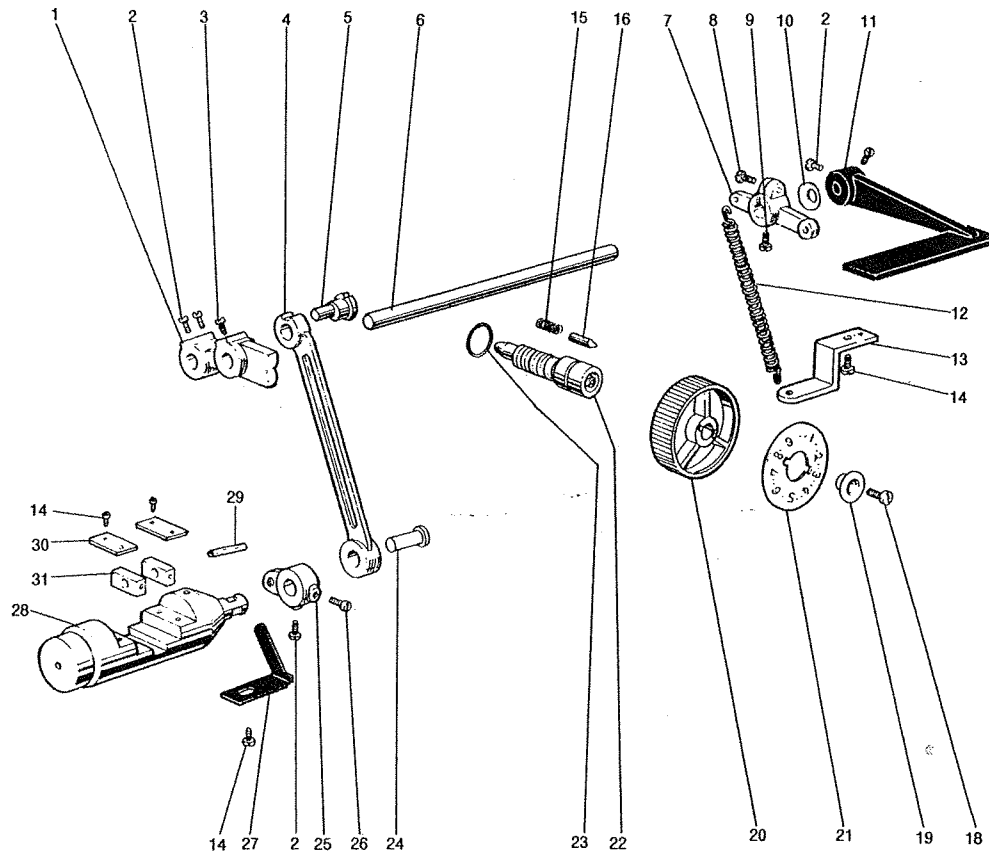
E. 천평, 침봉 요동 기구 / Thread Take-up & Needle Bar Rock Motion Mechanism



| No. | Code No. | Parts Name | Q'ty | Remark |
|-----|----------|-----------------------------------|------|--------|
| 1 | 152018 | Needle Bar Crank Pin | 1 | |
| 2 | 158014 | Oil Wick | 1 | |
| 3 | 152019 | Thread Take-up Shaft | 1 | |
| 4 | 118002 | Oil Wick | 1 | |
| 5 | 151053 | Thread Take-up | 1 | |
| | 151053-H | | | H |
| 6 | 1094 | Screw 15/64(28)-12 | 1 | |
| 7 | 152020 | Thread Take-up Slide Block | 1 | |
| 8 | 152076 | Plug | 1 | |
| 9 | 152021 | Set Collar | 1 | |
| 10 | 3055 | Screw 1/4(40)-5 | 1 | |
| 11 | 3039 | Screw 15/64(28)-10 | 2 | |
| 12 | 152023 | Needle Bar Rock Shaft Bushing (L) | 1 | |
| 13 | 151009 | Needle Bar Rock Shaft Crank | 1 | |
| 14 | 2079 | Screw 1/4(24)-16 | 1 | |
| 15 | 141006 | Link | 1 | |
| 16 | 6093 | Screw 5/16(24)-26 | 1 | |
| 17 | 152077 | Nut 5/16(24) | 1 | |
| 18 | 158015 | Oil Wick | 1 | |
| 19 | 159003 | Needle Bar Rock Frame. ASM | 1 | |

| No. | Code No. | Parts Name | Q'ty | Remark |
|-----|----------|-----------------------------------|------|---------|
| 20 | 158004 | Felt | (1) | |
| 21 | 1008 | Screw 1/8(44)-4.5 | (4) | |
| 22 | 153027 | Felt Holder | (1) | |
| 23 | 158005 | Felt | (1) | |
| 24 | 153028 | Felt Holder | (1) | |
| 25 | 151012 | Needle Bar Crank | (1) | |
| 27 | 158006 | Oil Wick | (1) | |
| 29 | 151040 | Needle Bar Holder | (1) | |
| 30 | 1038 | Screw 9/64(40)-10 | (1) | |
| 31 | 1002 | Screw 3/32(56)-4 | (4) | |
| 32 | 153029 | Slide Plate | (2) | |
| 33 | 151011 | Needle Bar Rock Frame | (1) | |
| 34 | 152025 | Needle Bar Rock Shaft | (1) | |
| 35 | 152026 | Needle Bar | (1) | |
| 36 | * | Needle Clamp | 1 | 개이사표 참조 |
| 37 | 2021 | Screw 9/64(40)-3 | 2 | |
| 38 | 156002 | Needle DP×5 #14 | 2 | |
| | 156010 | Needle DP×5 #21 | 2 | H |
| 39 | 152072 | Taper Pin | 1 | |
| 40 | 152092 | Needle Bar Rock Shaft Bushing (R) | 1 | |

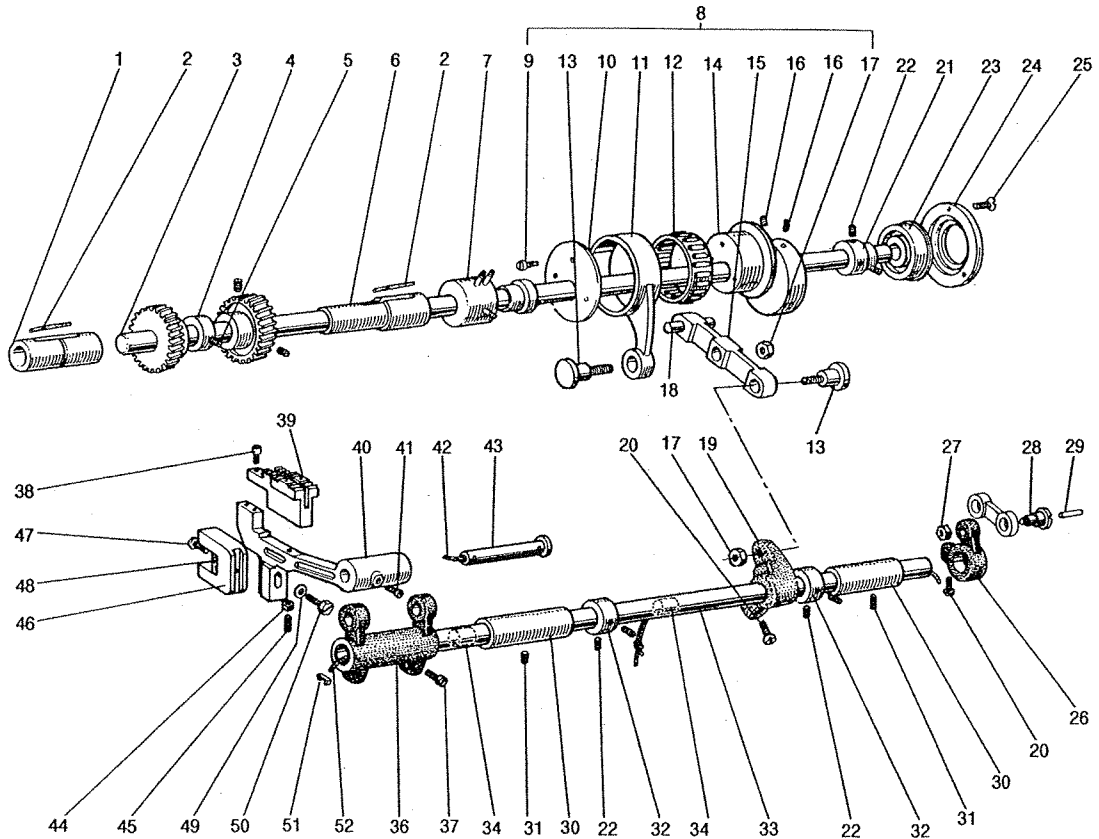
F. 송조절기 기구 / Feed Regulator Mechanism



| No. | Code No. | Parts Name | Q'ty | Remark |
|-----|----------|----------------------|------|---------------|
| 1 | 151014 | Feed Regulator | 1 | |
| 2 | 2069 | Screw 15/64(28)-8.5 | 4 | |
| 3 | 7003 | Screw 15/64(28)-12 | 1 | |
| 4 | 151015 | Connecting Link | 1 | |
| 5 | 152078 | Eccentric Pin | 1 | |
| 6 | 152028 | Reverse Stitch Shaft | 1 | H6200 |
| | 152029 | | 1 | H620 |
| 7 | 151054 | Reverse Lever | 1 | H620 |
| | 151016 | | 1 | H6200 |
| 8 | 1072 | Screw 3/16(28)-15 | 1 | |
| 9 | 2049 | Screw 11/64(40)-8.5 | 1 | |
| 10 | 113026 | Washer | 1 | H620 |
| 11 | 151017 | Reverse Sewing Lever | 1 | H620 |
| | 151050 | | 1 | H6200 |
| 12 | 155010 | Spring | 1 | 155010-H(후물용) |
| 13 | 153032 | Spring Hook | 1 | H620 |
| 14 | 1050 | Screw 11/64(40)-8 | 6 | H620 |
| 15 | 115003 | Spring | 1 | |

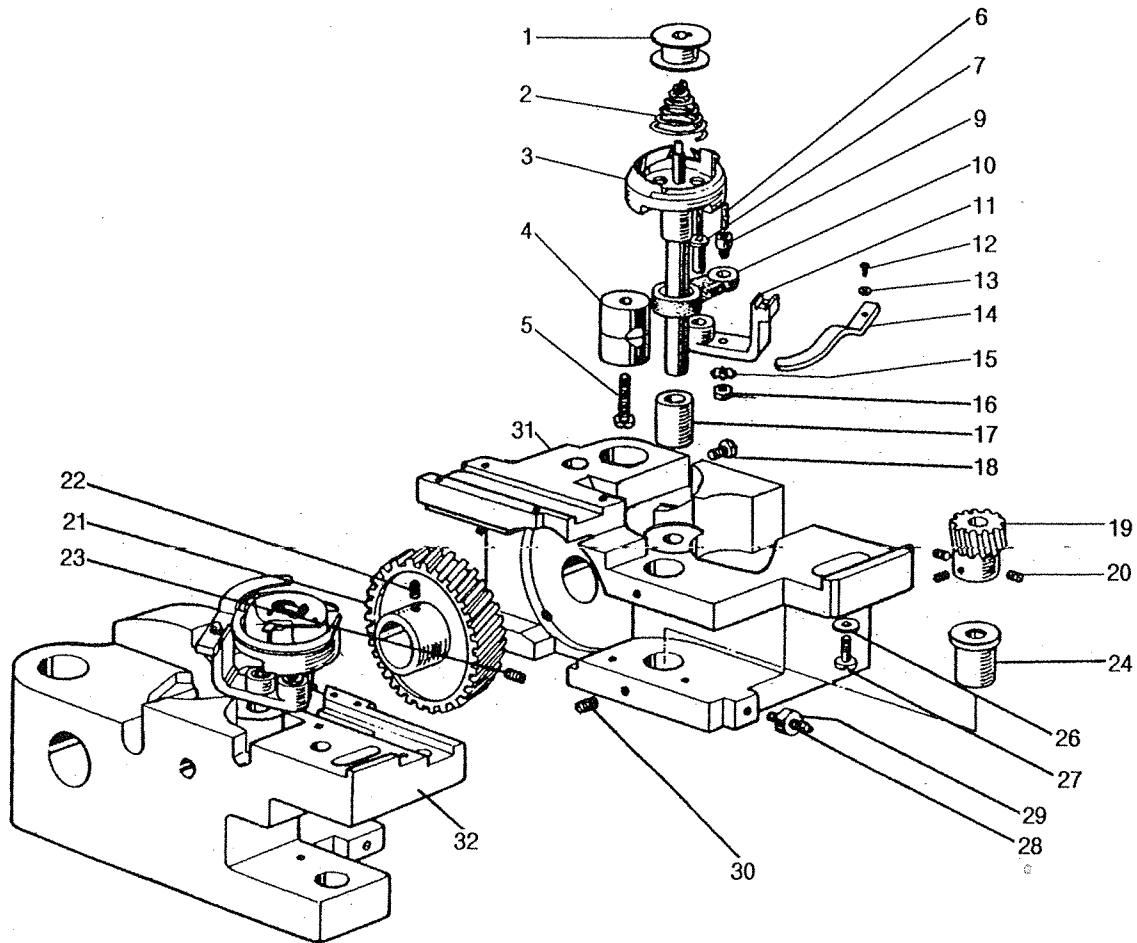
| No. | Code No. | Parts Name | Q'ty | Remark |
|-----|----------|-------------------------|------|--------|
| 16 | 112019 | Pin | 1 | |
| 18 | 2062 | Screw 3/16(28)-16 | 1 | |
| 19 | 123086 | Presser Washer | 1 | |
| 20 | 124032 | Dial | 1 | |
| | 154017 | Length Control Plate #5 | 1 | |
| 21 | 154017-H | Length Control Plate #8 | 1 | H6200H |
| | 134011 | Length Control Plate #9 | (1) | H620H |
| 22 | 112049 | Screw Bar | 1 | |
| 23 | 117022 | O Ring | 1 | |
| 24 | 152087 | Crank Pin | 1 | |
| 25 | 151018 | Stitch Regulating Crank | 1 | |
| 26 | 2069 | Screw 15/64(28)-8.5 | 3 | |
| 27 | 153033 | Stopper | 1 | |
| 28 | 152031 | Reverse Bar | 1 | |
| 29 | 152032 | Pin | 1 | |
| 30 | 153034 | Guide Plate | 2 | |
| 31 | 152033 | Slide Block | 2 | |

G. 하축 기구 / Lower Shaft Mechanism



| No. | Code No. | Parts Name | Q'ty | Remark | No. | Code No. | Parts Name | Q'ty | Remark |
|-----|----------|--------------------------------|------|--------|-----|----------|---------------------------|------|--------|
| 1 | 152034 | Lower Shaft Bushing (L) | 1 | | 26 | 151022 | Feed Rock Shaft Crank (R) | 1 | |
| 2 | 158015 | Felt | 2 | | 27 | 152077 | Nut 5/16(24) | 1 | |
| 3 | 152035 | Lower Shaft | 1 | | 28 | 6093 | Stud Screw 5/16(24)-6 | 1 | |
| 4 | 152036 | Feed Lifting Cam | 1 | | 29 | 158006 | Oil Wick | 1 | |
| | 152036-H | | | H | 30 | 112034 | Feed Rock Shaft Bushing | 2 | |
| 5 | 3087 | Ball Screw 1/4(40)-5.6 | 2 | | 31 | 3050 | Screw 1/4(24)-14 | 2 | |
| 6 | 152037 | Lower Shaft Bushing (R) | 1 | | 32 | 112038 | Set Collar | 2 | |
| 7 | 159004 | Lower Shaft Bushing (M). ASM | 1 | | 33 | 152043 | Feed Rock Shaft | 1 | |
| 8 | 159005 | Level Feed Connecting Rod. ASM | 1 | | 34 | 158008 | Oil Felt | 2 | |
| | 159005-H | | | H | 36 | 151023 | Feed Rock Shaft Crank | 1 | |
| 9 | 1050 | Screw 11/64(40)-8 | (3) | | 37 | 2061 | Screw 3/16(28)-15 | 2 | |
| 10 | 153035 | Cover Plate | (1) | | 38 | 2012 | Screw 1/8(40)-7 | 2 | |
| 11 | 151019 | Level Feed Connecting Rod | (1) | | 39 | | Feed Dog | 1 | 개이지표준조 |
| 12 | 156008 | Bearing | (1) | | 40 | 151024 | Feed Bar | 1 | H620 |
| 13 | 6072 | Stud Screw 1/4(24)-13 | (2) | | | 151051 | | | H6200 |
| 14 | 152039 | Level Feed Cam | (1) | | 41 | 2051 | Screw 11/64(40)-9 | 1 | |
| | 152039-H | | | H | 42 | 158007 | Oil Wick | 1 | |
| 15 | 151041 | Feed Link | (1) | | 43 | 152045 | Feed Bar Shaft | 1 | |
| 16 | 3082 | Screw 15/64(28)-8 | (3) | | 44 | 152081 | Nut 1/8(40) | 1 | |
| 17 | 152079 | Nut 1/4(24) | (2) | | 45 | 3003 | Screw 1/8(40)-15 | 1 | |
| 18 | 152080 | Feed Link Pin | (1) | | 46 | 151025 | Feed Bar Fork | 1 | |
| 19 | 151021 | Connecting Rod Crank | (1) | | | 151025-H | | | H |
| 20 | 2079 | Screw 1/4(24)-16 | (2) | | 47 | 2024 | Screw 9/64(40)-4.5 | 1 | |
| 21 | 152040 | Bearing Bushing | 1 | | 48 | 158009 | Felt | 1 | |
| 22 | 3054 | Screw 1/4(40)-4 | 5 | | 49 | 153075 | Washer | 1 | |
| 23 | 156003 | Bearing | 1 | | 50 | 2074 | Screw 15/64(28)-16.5 | 1 | |
| 24 | 153036 | Bearing Holder | 1 | | 51 | 113024 | Oil Wick Holder | 1 | |
| 25 | 4010 | Screw 9/64(40)-7 | 3 | | 52 | 158016 | Oil Wick | 1 | |

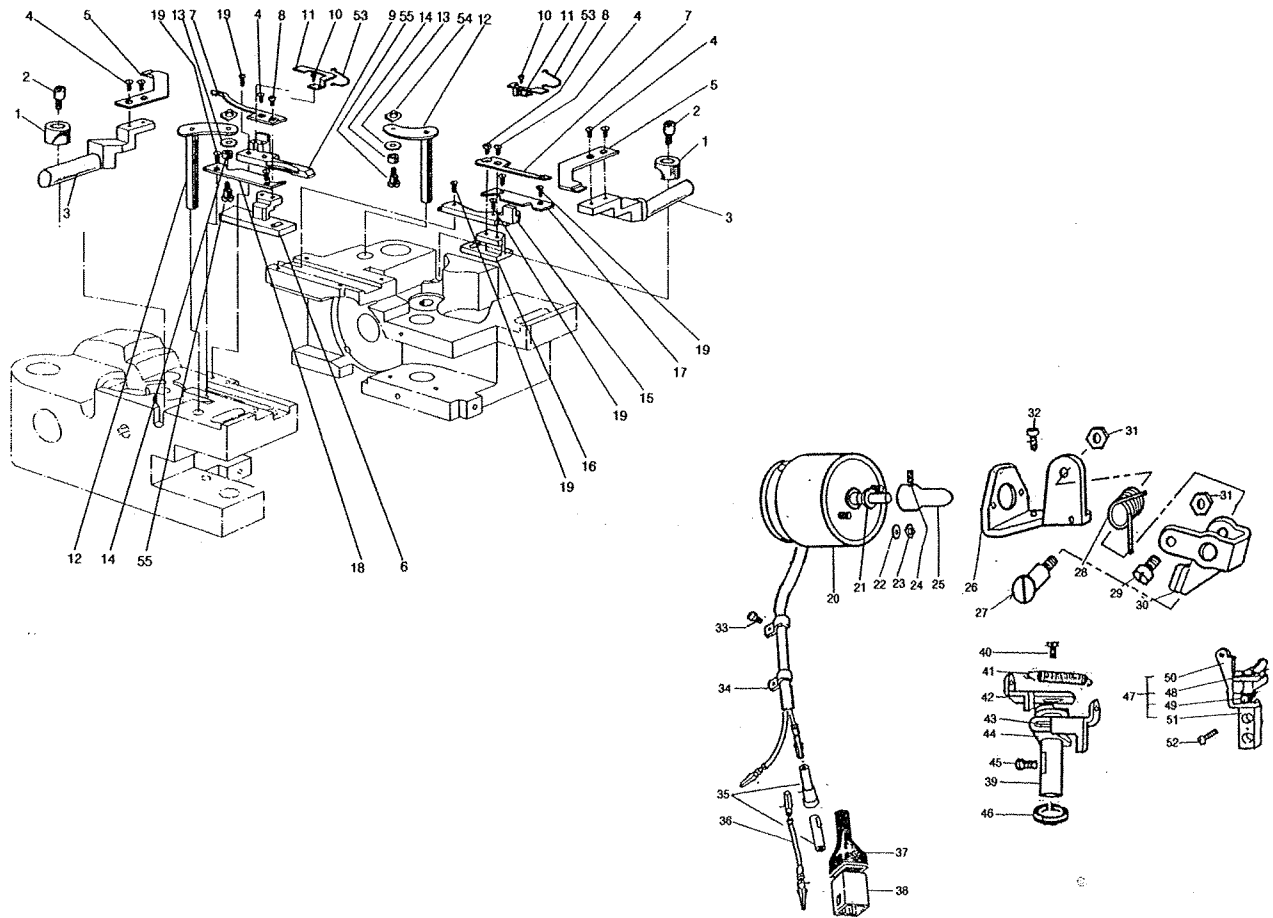
H. 가마내 기구 / Hook Saddle Mechanism



| No. | Code No. | Parts Name | Q'ty | Remark |
|-----|------------------|--------------------|------|--------|
| 1 | 152093 | Bobbin | 2 | H620 |
| | 152093-H | | | H620H |
| | 152046 | | | H6200 |
| | 152046-H | | | H6200H |
| 2 | 155013 | Spring | 2 | H6200 |
| | 155013-H | | | H6200H |
| 3 | HSH-12-15M | Hook | 2 | H620 |
| | HSH-12-15MMA | | | H620H |
| | HSH-12-15MTR(3) | | | H6200 |
| | HSH-12-15MM(3)TR | | | H6200H |
| 4 | 152047 | Bushing. ASM | 2 | |
| 5 | 1098 | Screw 15/64(28)-30 | (2) | |
| 6 | 158010 | Oil Wick 2.5 x 15 | 2 | |
| 7 | 152048 | Opener Holder Pin | 2 | |
| 9 | 8029 | Screw 3/16(32)-7.8 | (2) | |
| 10 | 152050 | Link | (2) | |
| | 152050-H | | | H |
| 11 | 151026 | Opener Holder | (2) | |
| | 151026-H | | | H |
| 12 | 1030 | Screw 9/64(40)-7 | (2) | |
| 13 | 153038 | Washer | (2) | |
| 14 | 153039 | Opener | (2) | |
| | 153039-H | | | H |
| 15 | 156004 | Spring Washer 5 | (2) | |

| No. | Code No. | Parts Name | Q'ty | Remark |
|-----|----------|------------------------|------|--------|
| 16 | 152082 | Nut 3/16(32) | (2) | |
| 17 | 152051 | Hook Shaft Bushing (U) | 2 | |
| | 152051-H | | | H |
| 18 | 1071 | Screw 3/16(28)-14 | 2 | |
| 19 | 152053 | Gear (S) | 2 | |
| 20 | 3054 | Screw 1/4(40)-4 | 8 | |
| 21 | 152054 | Gear (L) | 2 | |
| 22 | 3087 | Screw 1/4(40)-5.6 | 2 | |
| 23 | 3079 | Screw 1/4(40)-6 | 2 | |
| 24 | 152056 | Hook Shaft Bushing (D) | 2 | |
| 26 | 153041 | Washer | 2 | |
| 27 | 2082 | Screw 1/4(40)-23 | 2 | |
| 28 | 8034 | Screw 3/16(28)-26 | 2 | |
| 29 | 122080 | Nut 3/16(28) | 2 | |
| 30 | 3032 | Screw 15/64(28)-4 | 2 | |
| 31 | 151042 | Hook Saddle | 1 | H620 |
| | 151042-H | | | H620H |
| | 151043 | | | H6200 |
| | 151043-H | | | H6200H |
| 32 | 151044 | Hook Saddle | 1 | H620 |
| | 151044-H | | | H620H |
| | 151045 | | | H6200 |
| | 151045-H | | | H6200H |

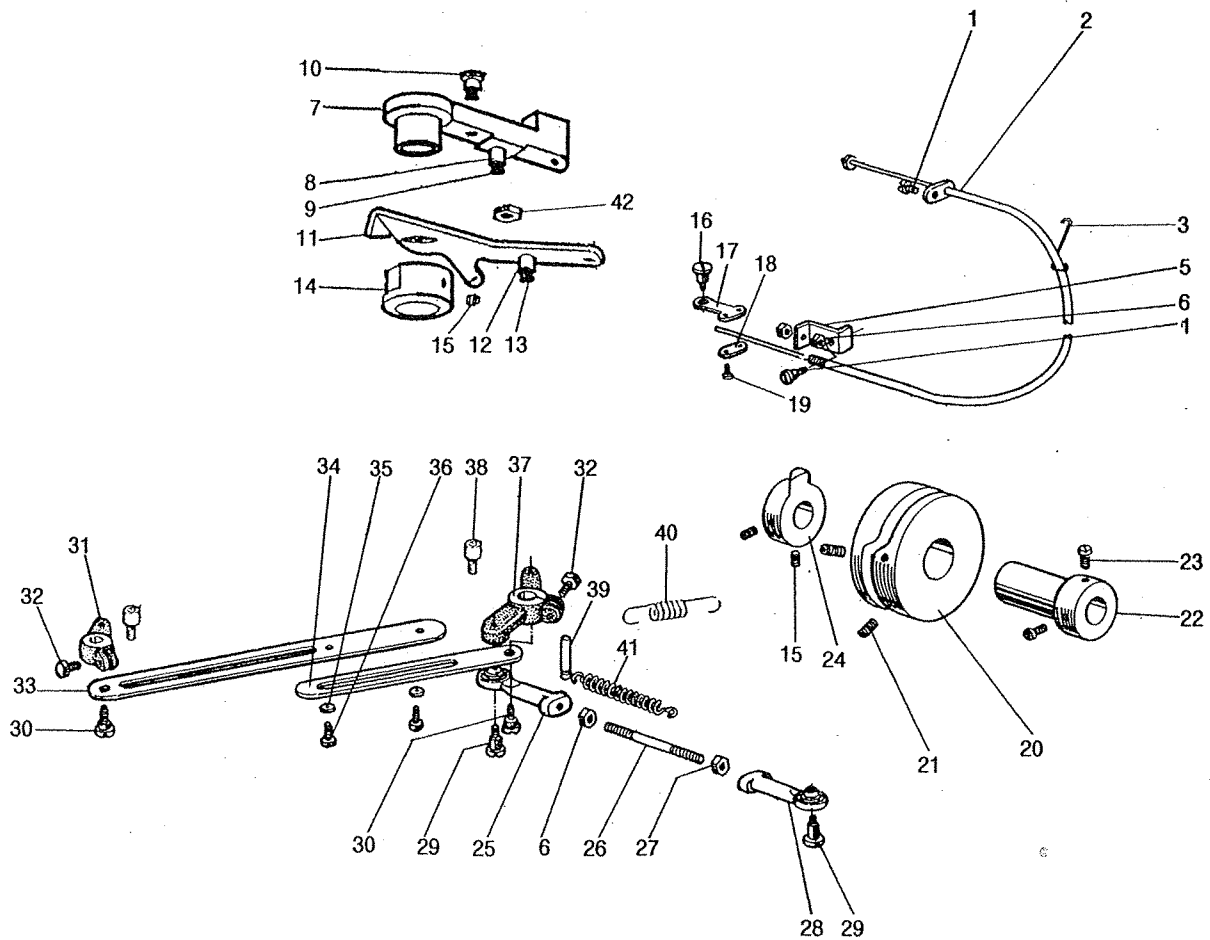
I. 시절 기구(1) / Thread Trimmer Mechanism(1) (H6200)



| No. | Code No. | Parts Name | Q'ty | Remark |
|-----|----------|-------------------------------|------|--------|
| 1 | 152057 | Fixed Blade Holder Joint | 2 | |
| 2 | 9015 | Wrench Screw M5(P0.5)-12 | 2 | |
| 3 | 151027 | Fixed Blade Holder | 2 | |
| 4 | 4008 | Screw 9/64(40)-5 | 6 | |
| 5 | 153088 | Fixed Blade | 2 | |
| 6 | 151028 | Moved Knife Bracket (L) | 1 | |
| 7 | 153089 | Moved Knife | 2 | |
| 8 | 2106 | Screw 9/64(40)-5 | 2 | |
| 9 | 151029 | Moved Knife Guide (L) | 1 | |
| 10 | 2003 | Screw 3/32(56)-5 | 5 | |
| 11 | 155014 | Spring Plate | 2 | |
| 12 | 151030 | Moved Knife Lever | 2 | |
| 13 | 223034 | Washer | 2 | |
| 14 | 152059 | Roller | 2 | |
| 15 | 151031 | Moved Knife Guide Bracket (R) | 1 | |
| 16 | 151032 | Moved Knife Bracket (R) | 1 | |
| 17 | 153042 | Moved Knife Guide Plate (R) | 1 | |
| 18 | 153043 | Moved Knife Guide Plate (L) | 1 | |
| 19 | 4010 | Screw 9/64(40)-6.2 | 8 | |
| 20 | 159006 | Thread Trimmer Solenoid ASM | 1 | |
| 21 | 127032 | Cushion | 1 | |
| 22 | 126002 | Spring Washer | 2 | |
| 23 | 122083 | Nut M4 | 2 | |
| 24 | 3020 | Screw 11/64(40)-6 | 1 | |
| 25 | 152060 | Plunger Pin | 1 | |
| 26 | 153044 | Solenoid Bracket | 1 | |
| 27 | 6044 | Stud Screw | 1 | |
| 28 | 155026 | Spring | 1 | |
| 29 | 8103 | Pin | 1 | |

| No. | Code No. | Parts Name | Q'ty | Remark |
|-----|----------|--------------------------------|------|--------|
| 30 | 153045 | Solenoid Lever | 1 | |
| 31 | 122080 | Nut 3/16(28) | 3 | |
| 32 | 2079 | Screw 1/4(24)-16 | 2 | |
| 33 | 1020 | Screw 9/64(40)-5 | 2 | |
| 34 | 157006 | Cord Holder | 2 | |
| 35 | 156005 | Connector Cap. ASM | 1 | |
| 36 | 159007 | Connector Line | 1 | |
| 37 | 124025 | Connector Cap 12 | 1 | |
| 38 | 124026 | Connector 12 | 1 | |
| 39 | 152061 | Thread Trimmer Cam Lever Shaft | 1 | |
| | 152061-H | | | H |
| 40 | 1050 | Screw 11/64(40)-8 | 1 | H |
| 41 | 125025 | Spring | 1 | H |
| 42 | 153046 | Stopper | 1 | H |
| 43 | 155027 | E-Type Stop Ring 8 | 1 | H |
| 44 | 153047 | Safety Guide | 1 | H |
| 45 | 3082 | Screw 15/64(28)-8 | 3 | |
| 46 | 157009 | Cushion Rubber | 2 | |
| 47 | 139010 | Thread Release. ASM | 1 | |
| 48 | 125032 | E-Type Stop Ring 3 | (1) | |
| 49 | 135006 | Thread Release Spring | (1) | |
| 50 | 133025 | Thread Releasing Fork | (1) | |
| 51 | 132060 | Thread Releasing Bracket | (1) | |
| 52 | 1058 | Screw 11/64(40)-12 | 2 | |
| 53 | 155029 | Thread Holder Spring | 2 | |
| 54 | 182093 | Nut 9/64(40)-3 | 2 | |
| 55 | 6122 | Stud Screw | 2 | |

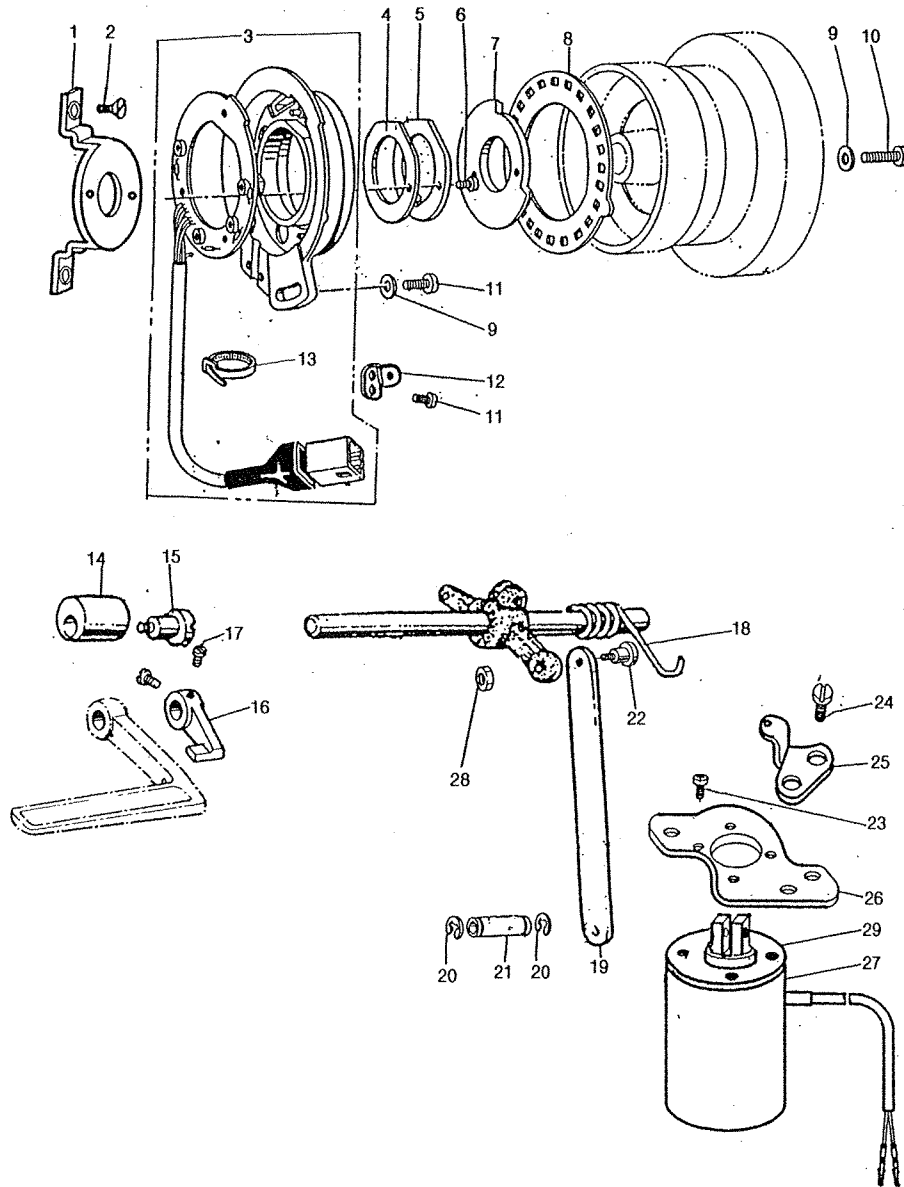
J. 시절 기구(2) / Thread Trimmer Mechanism(2) (H6200)



| No. | Code No. | Parts Name | Q'ty | Remark |
|-----|----------|----------------------------------|------|--------|
| 1 | 1047 | Screw 11/64(40)-5.5 | 1 | |
| 2 | 155016 | Wire. ASM | 1 | |
| 3 | 155017 | Wire Hook | 1 | |
| 4 | 155030 | Cord Holder (S) | 1 | |
| 5 | 153049 | Wire Releasing Bracket | 1 | |
| 6 | 122082 | Nut M5 | 2 | |
| 7 | 159035 | Thread Trimmer Lever. ASM | 1 | |
| 8 | 152063 | Roller | 1 | |
| 9 | 2028 | Screw 9/64(40)x6 | 1 | |
| 10 | 6035 | Stud Screw 3/16(28) | 1 | |
| 11 | 153050 | Thread Releasing Plate | 1 | |
| 12 | 122037 | Roller | 1 | |
| 13 | 6022 | Stud Screw 11/64(40) | 1 | |
| 14 | 152064 | Thread Trimmer Cam Lever Bushing | 1 | |
| 15 | 3080 | Screw M5-5 | 4 | |
| 16 | 6021 | Stud Screw | 1 | |
| 17 | 123076 | Wire Bracket | 1 | |
| 18 | 123079 | Wire Bracket Holder | 1 | |
| 19 | 2018 | Screw 1/8(44)x7 | 2 | |
| 20 | 152065 | Thread Trimmer Cam | 1 | |
| 21 | 3077 | Screw M6 | 2 | |

| No. | Code No. | Parts Name | Q'ty | Remark |
|-----|----------|----------------------------|------|--------|
| 22 | 152083 | Thread Trimmer Cam Bushing | 1 | |
| 23 | 3082 | Screw 15/64(28)-8 | 2 | |
| 24 | 151034 | Thread Releasing Cam | 1 | |
| 25 | 156006 | Ball Joint Bearing (L) | 1 | |
| 26 | 8119 | Adjust Screw | 1 | |
| 27 | 152084 | Left-handed Nut M5 | 1 | |
| 28 | 156007 | Ball Joint Bearing (R) | 1 | |
| 29 | 6017 | Stud Screw | 2 | |
| 30 | 6067 | Stud Screw | 2 | |
| 31 | 151035 | Moved Knife Lever (L) | 1 | |
| 32 | 9008 | Bolt M6x15 | 2 | |
| 33 | 153055 | Connecting Plate (L) | 1 | |
| 34 | 153051 | Connecting Plate (R) | 1 | |
| 35 | 123061 | Washer | 4 | |
| 36 | 5026 | Bolt M5x8 | 2 | |
| 37 | 151036 | Moved Knife Lever (R) | 1 | |
| 38 | 8104 | Stopper Pin | 1 | |
| 39 | 152067 | Spring Hook | 1 | |
| 40 | 155018 | Spring | 1 | |
| 41 | 155019 | Spring | 1 | |
| 42 | 122084 | Nut | 1 | |

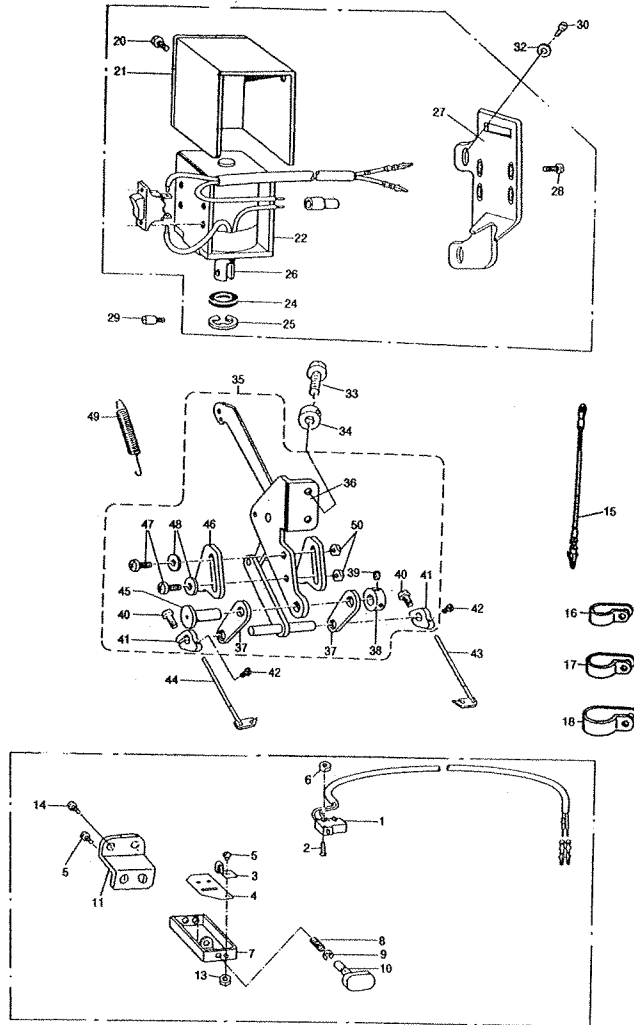
K. 위치검출기, 조작상자 기구 / Synchronizer, Operation Panel Mechanism (H6200)



| No. | Code No. | Parts Name | Q'ty | Remark |
|-----|----------|------------------------|------|--------|
| 1 | 153052 | Synchronizer Bracket | 1 | |
| 2 | 4018 | Screw 11/64(40)-8 | 2 | |
| 3 | 129020 | Synchronizer. ASM | 1 | |
| 4 | 127003 | Packing | 1 | |
| 5 | 113034 | Stopper | 1 | |
| 6 | 1005 | Screw M3x8 | 2 | |
| 7 | 153053 | Speed Command Disc (S) | (1) | |
| 8 | 154008 | Speed Command Disc (L) | (1) | |
| 9 | 123062 | Washer | (10) | |
| 10 | 1061 | Screw 11/64(40)-16 | (2) | |
| 11 | 1050 | Screw 11/64(40)-8 | 3 | |
| 12 | 153054 | Synchronizer Stopper | 1 | |
| 13 | 126003 | Bead Band | 1 | |
| 14 | 127025 | Stopper Rubber | 1 | |
| 15 | 6056 | Stud Screw | 1 | |

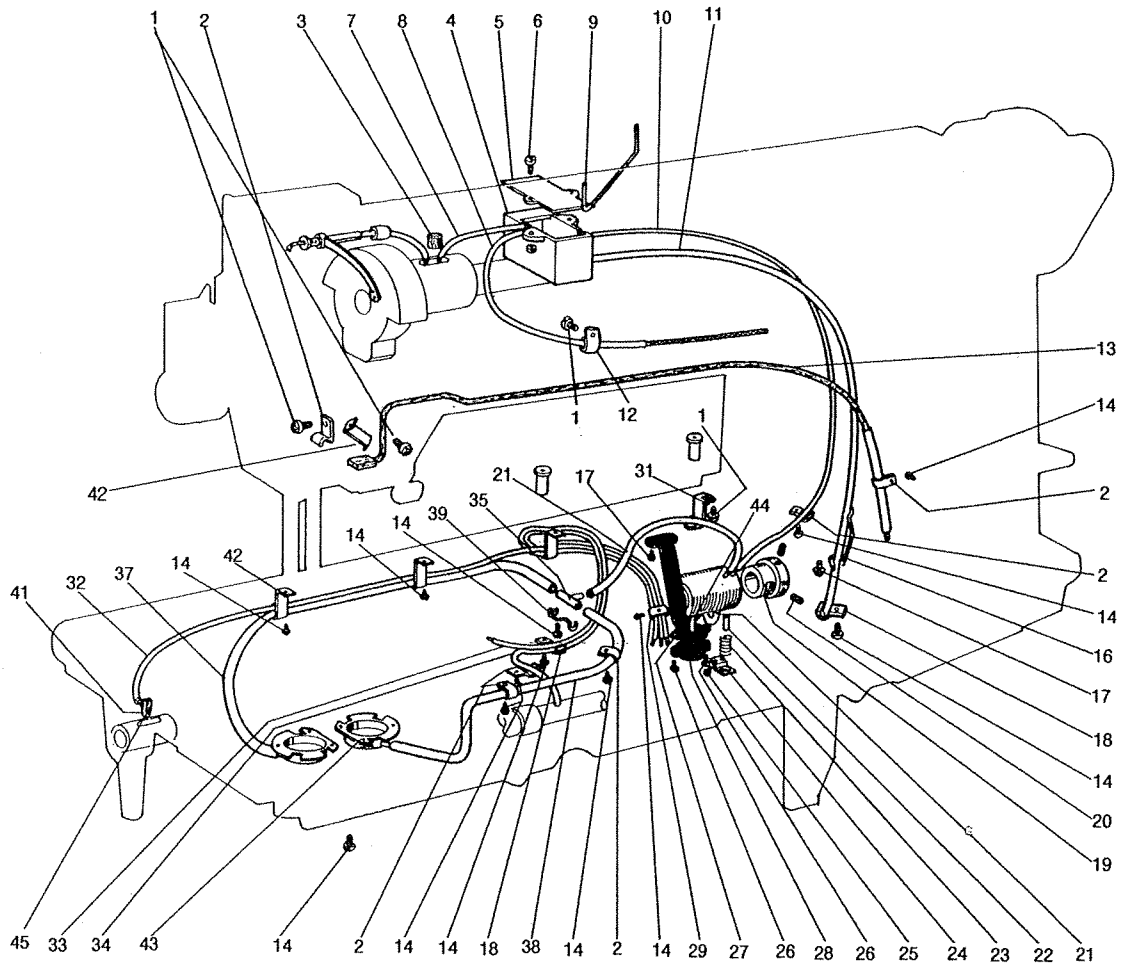
| No. | Code No. | Parts Name | Q'ty | Remark |
|-----|----------|-----------------------|------|--------|
| 16 | 151037 | Reverse Lever (B) | 1 | |
| 17 | 2069 | Screw 15/64(28)-8 | 2 | |
| 18 | 155020 | Spring | 1 | |
| 19 | 153056 | Solenoid Link | 1 | |
| 20 | 125039 | E-Type Stop Ring 4 | 2 | |
| 21 | 122063 | Pin | 1 | |
| 22 | 6066 | Stud Screw | 1 | |
| 23 | 4025 | Screw 11/64(40)-7 | 4 | |
| 24 | 2079 | Screw 1/4(24)-16 | 2 | |
| 25 | 153057 | Spring Hook | 1 | |
| 26 | 153058 | Solenoid Bracket | 1 | |
| 27 | 159016 | Reverse Solenoid. ASM | 1 | |
| 28 | 122088 | Nut 15/64(28) | 1 | |
| 29 | 137010 | Packing | 1 | |

L. 마이크로스위치, 와이퍼 기구 / Micro Switch, Wiper Mechanism (H6200)



| No. | Code No. | Parts Name | Q'ty | Remark |
|-----|----------|--------------------|------|--------|
| 1 | 124020 | Micro Switch | 1 | |
| 2 | 1111 | Screw M2 | 2 | |
| 3 | 123071 | Spring Plate | 1 | |
| 4 | 123031 | Insulation Plate | 1 | |
| 5 | 1112 | Screw M4-6 | 3 | |
| 6 | 122083 | Nut M4 | 1 | |
| 7 | 123030 | Switch Bracket | 1 | |
| 8 | 125028 | Spring | 1 | |
| 9 | 125032 | E-Type Stop Ring 3 | 1 | |
| 10 | 124019 | Switch Button | 1 | |
| 11 | 133028 | Bracket | 1 | |
| 13 | 122089 | Nut M2 | 2 | |
| 14 | 1050 | Screw 11/64(40)-8 | 2 | |
| 15 | 129032 | Earth Cord | 1 | |
| 16 | 157006 | Cord Holder (S) | 2 | |
| 17 | 157007 | Cord Holder (M) | 5 | |
| 18 | 157008 | Cord Holder (L) | 1 | |
| 20 | 1110 | Screw M4 | (2) | |
| 21 | 124033 | Cover | (1) | |
| 22 | 129031 | Solenoid | (1) | |
| 24 | 127034 | Cushion | (1) | |
| 25 | 115014 | E-Type Stop Ring 9 | (1) | |
| 26 | 122087 | Plunger | (1) | |

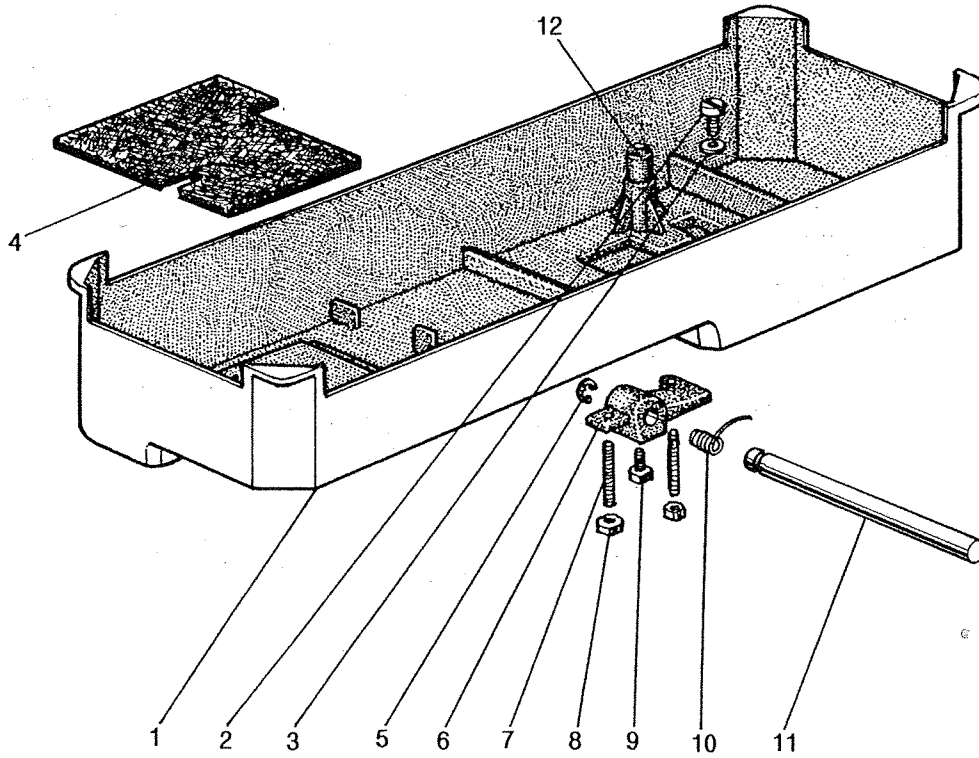
| No. | Code No. | Parts Name | Q'ty | Remark |
|-----|----------|------------------------|------|--------|
| 27 | 173027 | Solenoid Bracket | (1) | |
| 28 | 4024 | Screw M4 | (4) | |
| 29 | 8003 | Plunger Pin Stud Screw | 1 | |
| 30 | 1055 | Screw 11/64(40)-10 | 2 | |
| 32 | 123062 | Washer | 1 | |
| 33 | 1061 | Screw 11/64(40)-6 | 2 | |
| 34 | 152068 | Spacer | 2 | |
| 35 | 159008 | Wiper Bracket. ASM | 1 | |
| 36 | 159009 | Wiper Bracket | (1) | |
| 37 | 153077 | Wiper Link | (2) | |
| 38 | 152085 | Collar | (2) | |
| 39 | 3013 | Screw M4-5 | (2) | |
| 40 | 9012 | Screw M3-12 | (2) | |
| 41 | 153078 | Wiper Support | (2) | |
| 42 | 9011 | Screw M3-5 | (2) | |
| 43 | 153079 | Wiper (R) | (1) | |
| 44 | 153080 | Wiper (L) | (1) | |
| 45 | 152086 | Wiper Link Stud | (1) | |
| 46 | 153060 | Wiper Stopper | (2) | |
| 47 | 1055 | Screw 11/64(40)-10 | (2) | |
| 48 | 123062 | Washer | (2) | |
| 49 | 125025 | Spring | 1 | |
| 50 | 122101 | Nut 11/64(40) | (1) | |



| No. | Code No. | Parts Name | Q'ty | Remark |
|-----|----------|-----------------------|------|--------|
| 1 | 1047 | Screw 11/64(40)-6 | 4 | |
| 2 | 113038 | Steel Cord Holder (S) | 7 | |
| 3 | 158017 | Felt | 1 | |
| 4 | 159010 | Oil Tank. ASM | 1 | |
| 5 | 153061 | Oil Tank Cover | 1 | |
| 6 | 1114 | Screw M4-16 | 2 | |
| 7 | 159011 | Oil Wick. ASM | 1 | |
| 8 | 159012 | Oil Wick. ASM | 1 | |
| 9 | 155021 | Pipe Holder | 1 | |
| 10 | 157011 | Pipe 3Dx400 | 2 | |
| 11 | 157010 | Pipe 5Dx400 | 1 | |
| 12 | 113038 | Cord Holder (L) | 1 | |
| 13 | 159013 | Oil Return Tube. ASM | 1 | |
| 14 | 1020 | Screw 9/64(40)-5 | 17 | |
| 16 | 155022 | Pipe Holder | 1 | |
| 17 | 1050 | Screw 11/64(40)-8 | 3 | |
| 18 | 153081 | Pipe Holder | 2 | |
| 19 | 152069 | Bushing | 1 | |
| 20 | 3023 | Screw 11/64(40)-10 | 2 | |
| 21 | 157012 | Pipe 3Dx1x90 | 2 | |
| 22 | 152070 | Plunger | 1 | |

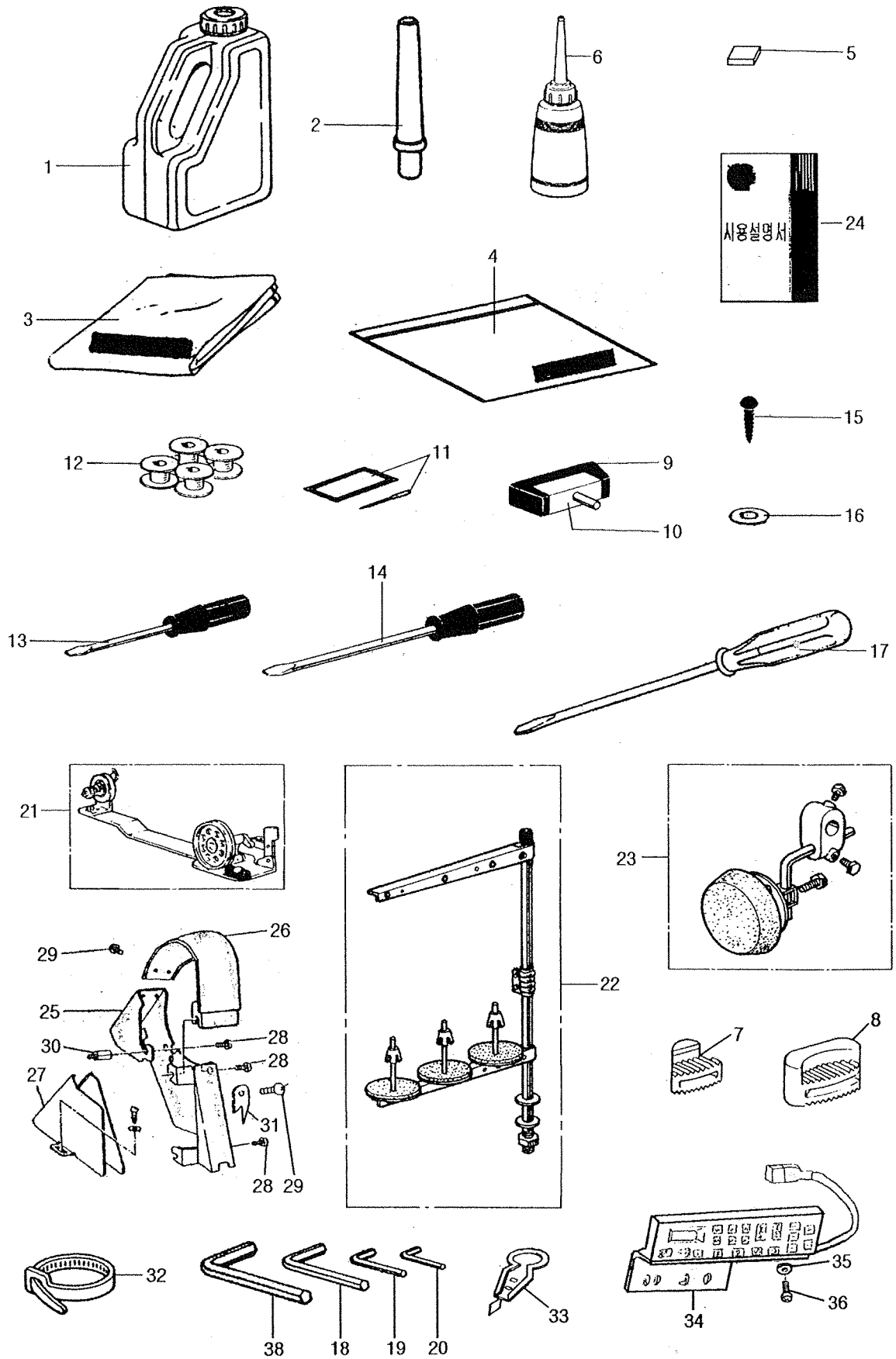
| No. | Code No. | Parts Name | Q'ty | Remark |
|-----|----------|-------------------------|------|--------|
| 23 | 155023 | Spring | 1 | |
| 24 | 153062 | Spring Holder | 1 | |
| 25 | 1021 | Screw 1/8(44)-4 | 1 | |
| 26 | 1048 | Screw 9/64(40)-7 | 2 | |
| 27 | 153063 | Pump Bracket | 1 | |
| 28 | 154011 | Filter. ASM | 1 | |
| 29 | 153065 | Pipe Holder | 1 | |
| 31 | 153066 | Pump Bracket Plate | 1 | |
| 32 | 157013 | Pipe 30x0.5x410 | 1 | |
| 33 | 159014 | Oil Wick Pipe. ASM | 1 | |
| 34 | 159015 | Oil Wick Pipe. ASM | 1 | |
| 35 | 154012 | Pipe Connector | 1 | |
| 37 | 157014 | Pipe 3Dx1x445 | 1 | |
| 38 | 157015 | Pipe 3Dx1x300 | 1 | |
| 39 | 155024 | Pipe Holder | 1 | |
| 41 | 158018 | Oil Wick ϕ 2.5x65 | 3 | |
| 42 | 153067 | Pipe Holder | 3 | |
| 43 | 153068 | Oil Cover. ASM | 2 | |
| 44 | 154010 | Pipe | 1 | |
| 45 | 158019 | Oil Wick ϕ 2.5x545 | 1 | |

N. 유수판 기구 / Oil Pan Mechanism



| No. | Code No. | Parts Name | Q'ty | Remark | No. | Code No. | Parts Name | Q'ty | Remark |
|-----|----------|---------------------|------|--------|-----|----------|----------------------|------|--------|
| 1 | 154018 | Oil Pan | 1 | | 7 | 3048 | Screw 15/64(28)-30 | 2 | |
| 2 | 1105 | Screw 5/16(28)-10 | 1 | | 8 | 112053 | Nut 15/64(28) | 2 | |
| 3 | 117012 | O-ring | 1 | | 9 | 7007 | Screw 15/64(28)-14.5 | 1 | |
| 4 | 158011 | Felt | 1 | | 10 | 155025 | Spring | 1 | |
| 5 | 115014 | E-Type Stop Ring 10 | 1 | | 11 | 152071 | Knee Lifter Shaft | 1 | |
| 6 | 151046 | Knee Lifter Crank | 1 | | 12 | 154019 | Knee Lifter Pin | 1 | |

Z. 부속품 / Accessories



Z. 부속품 / Accessories

| No. | Code No. | Parts Name | Q'ty | Remark |
|-----|----------|-------------------|------|--------|
| 1 | 801 | Oil Tank | 1 | |
| 2 | 802 | Head Rest | 1 | |
| 3 | 803 | Head Cover | 1 | |
| 4 | 804 | Accessories Bag | 1 | |
| 5 | 805 | Magnet | 1 | |
| 6 | 827 | Oil Tank | 1 | |
| 7 | 807 | Cushion Rubber(S) | 2 | |
| 8 | 808 | Cushion Rubber(L) | 2 | |
| 9 | 809 | Hinge Rubber | 1 | |
| 10 | 810 | Head Hinge | 1 | |
| 11 | 156002 | Needle DP×5 #14 | 6 | |
| | 156010 | Needle DP×5 #21 | 6 | H |
| 12 | 152093 | Bobbin | 4 | H620 |
| | 152093-H | | | H620H |
| | 152046 | | | H6200 |
| | 152046-H | | | H6200H |
| 13 | 813 | Driver (S) | 1 | |
| 14 | 814 | Driver (M) | 1 | |
| 15 | 816 | Screw 4.5x20 | 2 | |
| 16 | 817 | Washer | 2 | |
| 17 | 815 | Driver (L) | 1 | |

| No. | Code No. | Parts Name | Q'ty | Remark |
|-----|----------|-------------------------|------|--------|
| 18 | 824 | Socket Wrench 3 | 1 | |
| 19 | 828 | Socket Wrench 2.5 | 1 | H6200 |
| 20 | 823 | Socket Wrench 2 | 1 | H6200 |
| 21 | 819 | Bobbin Winder. ASM | 1 | |
| | 852 | | | H |
| 22 | 853 | Cotton Stand. ASM | 1 | |
| 23 | 821 | Knee lifter. ASM | 1 | |
| 24 | 158024 | Operation Manual | 1 | |
| 25 | 133034 | Belt Cover (A) | 1 | |
| 26 | 133035 | Belt Cover (B) | 1 | |
| 27 | 123092 | Belt Cover (C) | 1 | |
| 28 | 1089 | Screw 15/64(28)-8 | 1 | |
| 29 | 1047 | Screw 11/64(40)-6 | 3 | |
| 30 | 8057 | Stud Screw | 1 | |
| 31 | 123045 | Thread Knife | 1 | |
| 32 | 126003 | Cable Tie | 2 | H6200 |
| 33 | 829 | Thread a Needle Kit | 1 | |
| 34 | 153069 | Operation Panel Bracket | 1 | H6200 |
| 36 | 1004 | Screw M3×6 | 1 | H6200 |
| 37 | 136001 | Spring Washer | 2 | H6200 |
| 38 | 830 | Socket Wrench 4 | 1 | H6200 |

Consolidated Sewing Machine Corp.

MAIN OFFICE

131 West 25th Street
New York, NY 10001
Tel: (212) 741-7788
Fax: (212) 741-7787

BRANCH OFFICE

7855 NW 29th Street, Bay 166
Miami, FL 33122
Tel: (305) 471-0200
Fax: (305) 471-0243



CONSOLIDATED SEWING MACHINE CORPORATION
131 WEST 25TH STREET, NEW YORK, NY 10001

MODEL 339RB-3

INSTRUCTION MANUAL

OPERATOR'S GUIDE FLAT BED SEWING MACHINE

333RB-3

LUBRICATION (USE WHITE SPINDLE OIL)

1. To fill oil reservoir on top of machine until oil level reaches to upper reference line A. Always keep oil level is above lower reference line B. (Fig.1)
2. Oiling for hook mechanism: Open slide plate on bed and pull out oil gauge. Fill oil into reservoir for hook mechanism up to level reference mark on the gauge. (Fig. 3)
3. When starting the machine initially and after kept away for a long time without using at all, oil sufficiently to respective necessary parts indicated by arrow before starting operation and pre-running. (Fig. 2, 4 and 5)

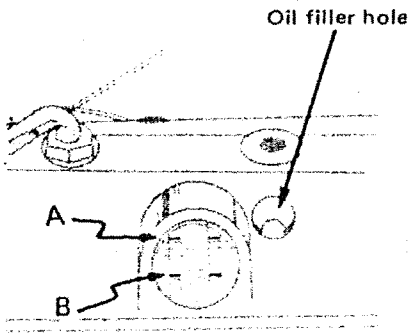


Fig. 1

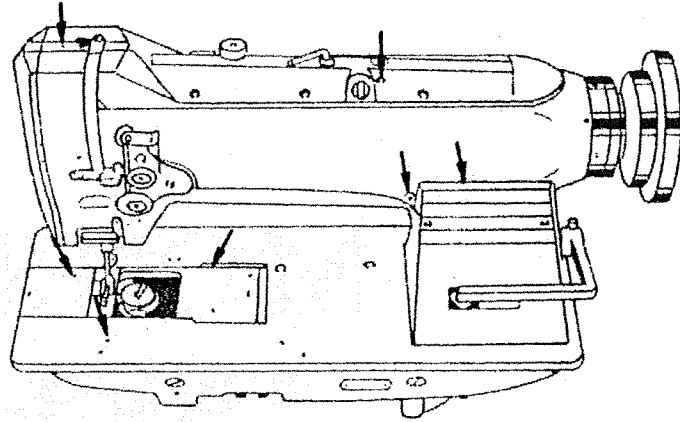


Fig. 2

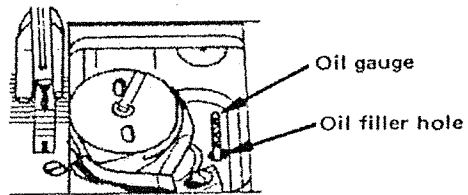


Fig. 3

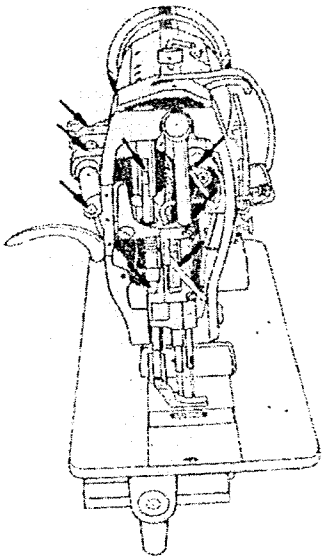


Fig. 4

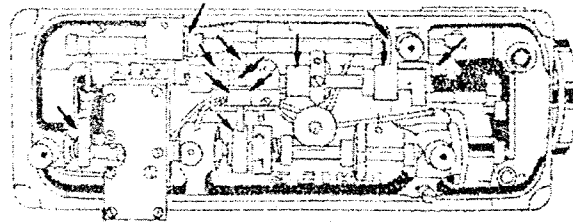


Fig. 5

OILING ADJUSTMENT FOR UPPER PART (Fig. 6)

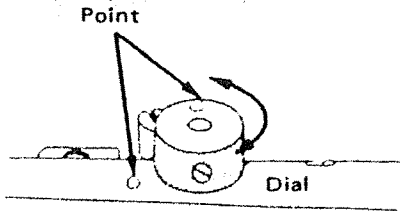


Fig. 6

While operating machine, lubrication to each spots of upper part of machine are made automatically. When the machine is in continuous operation, stop oiling for a while at your option. In that case, turn dial until two points fit together, then the dial comes down and the lubrications are stopped.

OILING ADJUSTMENT FOR HOOK MECHANISM (Fig. 7)

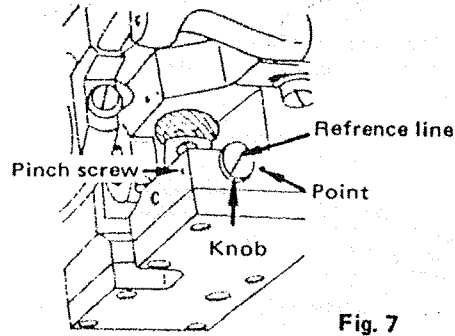


Fig. 7

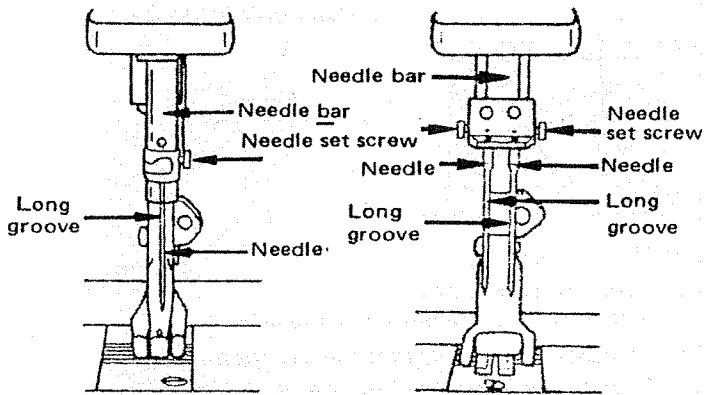
The maximum oil flow is available when reference line on oil adjusting knob is in a line with point on hook saddle. While it stops when the reference line is upright.

To adjust, loosen pinch screw and turn oil adjusting knob, then tighten the pinch screw after adjustment.

DP-F22#16 .

DPX17#22 ..

DPX17#24 ..



SINGLE NEEDLE
Fig. 8

DOUBLE NEEDLE
Fig. 9

1. Move needle bar to highest point.
2. Insert needle up as far as possible.
3. Long groove faces left (In case two needle machine, the long groove face inside).
4. Then, tighten needle set screw.

ROLLER PRESSER FOOT (Fig. 10)

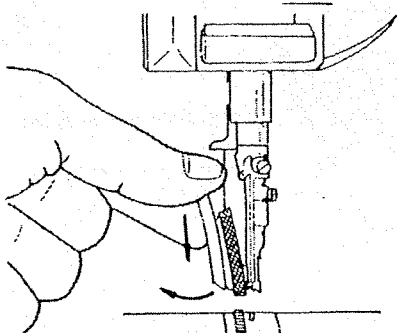
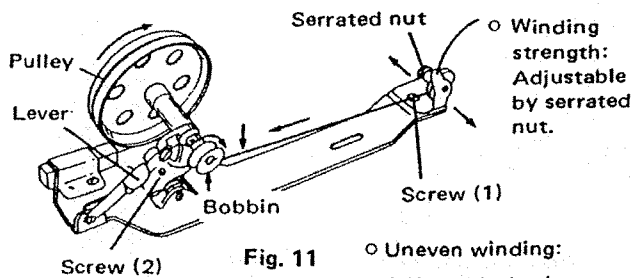


Fig. 10

Lift up presser bar lifter, and press down presser foot saddle and turn it to left.
To return, turn it to right.

WINDING THE BOBBIN;

1. Place bobbin on spindle as far as it will go.
2. Lead thread as shown by Fig. 11 and wind several times on bobbin.
3. Press down lever for drive then start machine. Pulley will be disengaged from V-belt automatically after bobbin fills up with thread.



- Winding amount:
Adjustable by screw (2)

- Winding strength:
Adjustable by serrated nut.
- Uneven winding:
Adjustable by loosening screw (1) and move winder to right or to left.

BOBBIN REMOVAL AND REPLACEMENT- STANDARD TYPE

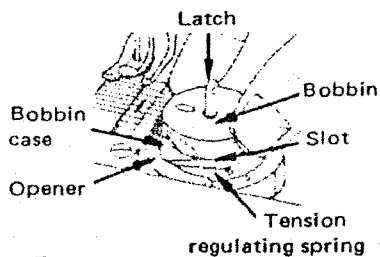


Fig. 12

1. BOBBIN REMOVAL
Pull up latch, and bobbin comes up.
2. BOBBIN REPLACEMENT
Place threaded bobbin into case and press down the latch. At this time, make sure the bobbin turns to left (counter-clockwise), pulling the thread.

3. THREADING BOBBIN

Guide thread into slot and pull the thread between bobbin case and opener, and pass thread inside of tension spring. Leave about 5 cm from needle plate and close slide plate lightly.

WITH CAP

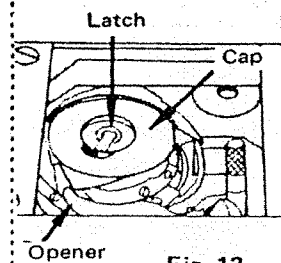


Fig. 13

1. BOBBIN REMOVAL

Pull up latch and remove cap and bobbin.

2. BOBBIN REPLACEMENT AND THREADING

Place threaded bobbin into cap. At this time, make sure bobbin turns to right (clockwise). Then, pull out a length of about 5 cm of thread, guide the thread into slot and pull the thread to left, under tension spring. Place the cap with bobbin into hook and press down the latch.

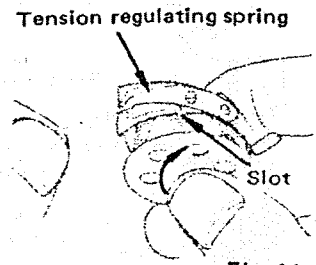


Fig. 14

THREADING THE NEEDLE

ONE NEEDLE

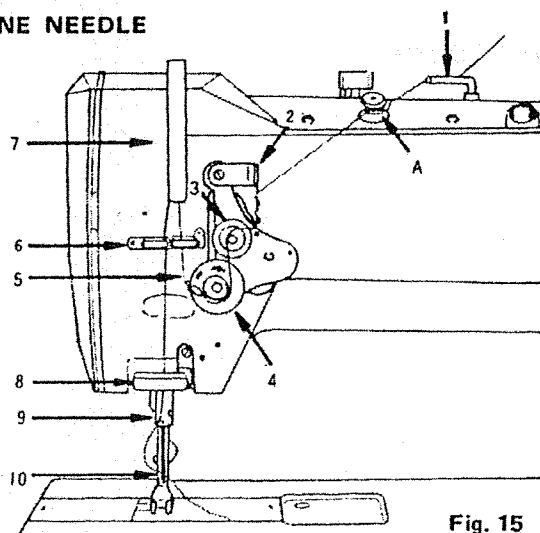


Fig. 15

- Raise needle bar to highest point and lead thread from thread stand the numerical order. Thread needle from left to right.
- A (pre-tension disc) is only for LSW-6LG, 7LG, T, TA type.

TWO NEEDLE

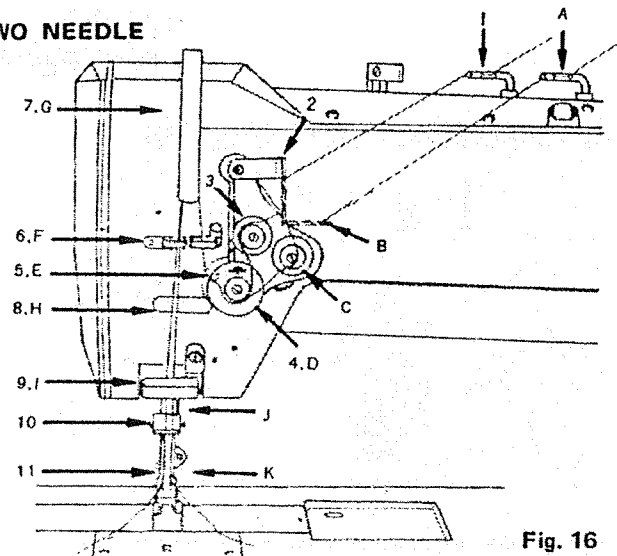


Fig. 16

- Raise needle bar to highest point and lead thread from thread stand the numerical order (1 ~ 11 for left needle) and the alphabetical order (A ~ K for right needle). Thread needle from outside to inside.

THREAD TENSION

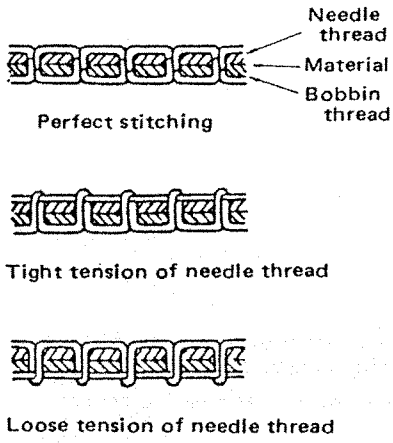


Fig. 17

NEEDLE THREAD

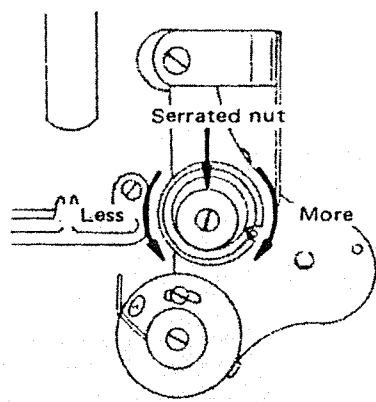


Fig. 18

To adjust, turn serrated nut

BOBBIN THREAD

(Standard type)

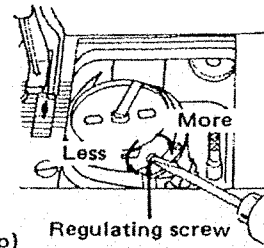


Fig. 19

(with Cap)

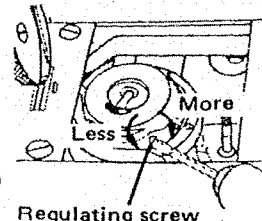


Fig. 20

To adjust, turn adjusting screw

TO REGULATE PRESSER FOOT PRESSURE

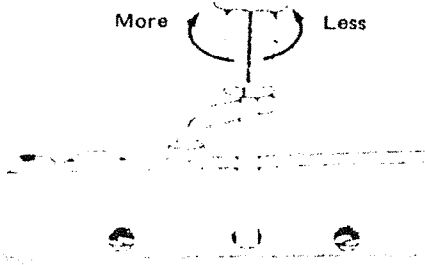


Fig. 21

The pressure on the material should be as light as possible, while still sufficient to insure correct feeding.

ADJUSTING LIFT OF ALTERNATING PRESSER FEET

(Compound feed mechanism only)

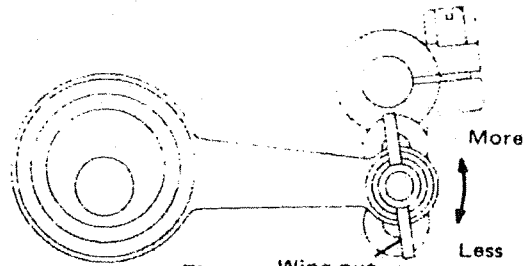


Fig. 22 Wing nut

To adjust, Loosen wing nut and move link and stud assembly along slot.

ADJUSTING STITCH LENGTH

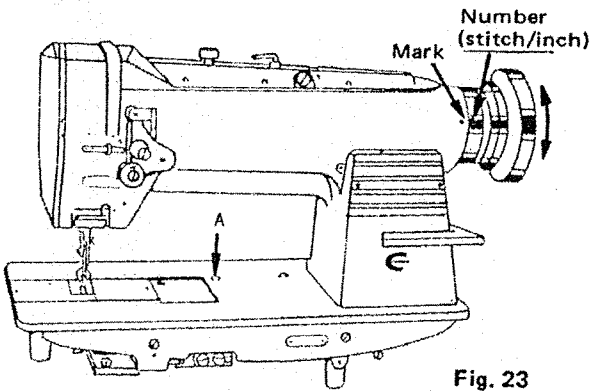


Fig. 23

Pressing down button A, turn pulley slowly toward you. Then plunger will enter into notch in feeding mechanism. Hold the plunger down and turn pulley either forward or rearward so that desired number on pulley may come at mark on arm. Then, release the plunger.

REVERSE STITCHING
(only with reverse mechanism)

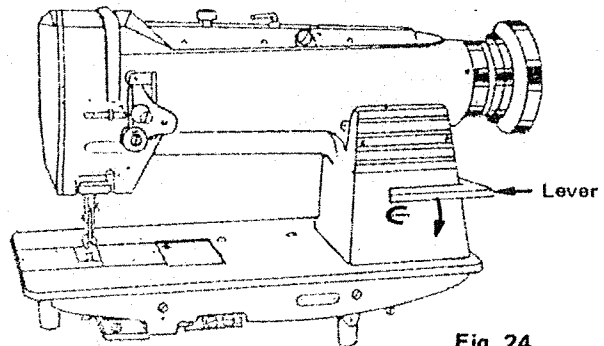


Fig. 24

Press down lever as far as it will go.

RE-SETTING SAFETY CLUTCH MECHANISM

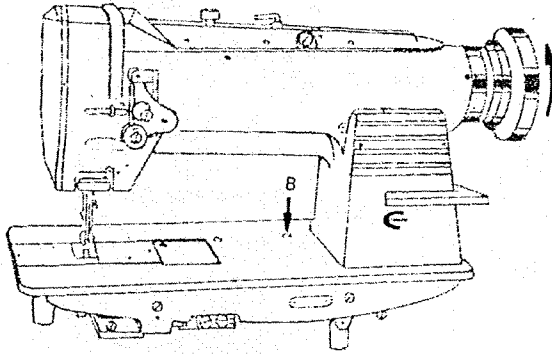


Fig. 25

1. Remove any foreign matter which may have lodged in hook. Do not use any sharp-edged tools.
2. Pressing button B and turn pulley rearward slowly to return safety clutch.

* Operating pressure of the safety clutch can be changed.

Consolidated Sewing Machine Corp.

Website: www.consew.com

MAIN office

131 W. 25th Street
New York, NY 10001
Tel: 212-741-7788
Fax: 212-741-7787
e-mail: consew@att.net

Miami, FL

4013 N.W. 79th Avenue
Miami, FL 33166
Tel: 305-471-0200
Fax: 305-471-0243
e-mail: miamisales@consew.com

Los Angeles, CA

2320 South Hill Street
Los Angeles, CA 90007
Tel: 213-745-8844
Fax: 213-745-8855
e-mail: lasales@consew.com

